

X LSOH Outer Sheath as standard

X 25 Year System Warranty

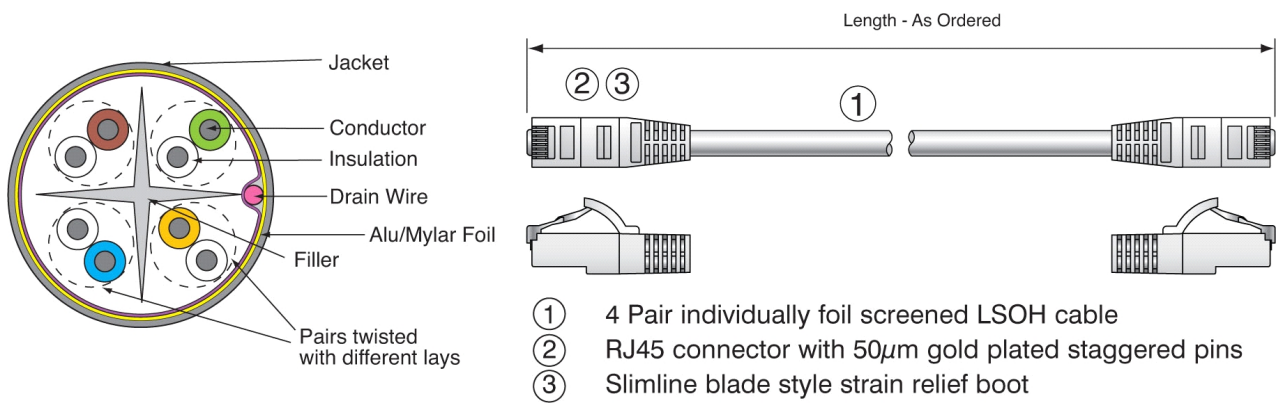
X Slimline "Blade Style" Standard Relief Boot

## Features

- X LSOH Outer Sheath as standard
- X Slimline "Blade Style" Standard Relief Boot
- X Foil Tape Screen
- X Choice of Colour
- X No.3 cabling system by market share, as reported by BSRIA
- X 25 Year System Warranty
- X Category 6 compliant
- X Highly Flexible
- X Individually Bagged

## Product Overview

Excel Category 6 FTP patch leads are manufactured and tested to ensure the installed cabling system is compliant with the ISO/IEC, EN and TIA channel specification requirements. Performance matched and 'tuned' to the performance characteristics of the Excel Category 6 range these leads will provide optimum performance levels. A choice of lengths and colours are available. Each cable has a low smoke zero halogen outer sheath as standard.



## Performance Overview

Excel Category 6 patch leads are manufactured and tested to the latest specification requirements as defined by the relevant standards bodies. A range of performance characteristics are tested upto 250MHz including return loss, attenuation and near and far end crosstalk (NEXT and FEXT) for which both worst case and power sum tests are completed. Actual performance far exceeds the required standard - when tested in isolation and in circuit - resulting in significant headroom for even the most demanding of applications.

As well as providing link and channel compliance - when installed with Excel Category 6 components - with the aforementioned specification - the panel is also backward compatible with Category 5e components.

## Typical Applications

- 10Base-T Ethernet
- 100BASE-TX Fast Ethernet
- 1000BASE-T Gigabit Ethernet
- Composite Video
- 155 Mbps ATM
- 622 Mbps ATM
- Token Ring

## Construction

Conductors	Size	26 <sub>A</sub> WG
	Type	Stranded plain copper
	Diameter	7/0.165 ± 0.02mm
	Insulation	Solid polyethylene
	Insulation diameter	0.88 ± 0.02mm
	Insulation minimum thickness	0.17 mm
Screen	Tinned copper drain wire	7/0.16 mm
	Cross separator	Polyethylene
	Screen foil	Aluminium / Mylar
Jacket	Type	LSOH
	Overall diameter	6.19 ± 0.2 mm
	Average thickness	0.52 mm
	Minimum thickness	0.47 mm
Temperature Range	Installation	0 to +50° C
	Operating	-10 to +60° C
Bend radius	Minimum	24.88 mm
Standards	Construction	IEC 61156-5 ed 2.0 Category 6
	Flame retardance	IEC 60332-1
	Smoke emission	IEC 61034

## Part Numbers

Part No.	Description
100-435	Category 6 F/UTP Booted Patch Lead, LSOH Grey 1m
100-436	Category 6 F/UTP Booted Patch Lead, LSOH Grey 3m
100-437	Category 6 F/UTP Booted Patch Lead, LSOH Grey 5m
100-438	Category 6 F/UTP Booted Patch Lead, LSOH Red 1m
100-439	Category 6 F/UTP Booted Patch Lead, LSOH Red 3m
100-440	Category 6 F/UTP Booted Patch Lead, LSOH Red 5m
100-441	Category 6 F/UTP Booted Patch Lead, LSOH Green 1m
100-442	Category 6 F/UTP Booted Patch Lead, LSOH Green 3m
100-443	Category 6 F/UTP Booted Patch Lead, LSOH Green 5m
100-444	Category 6 F/UTP Booted Patch Lead, LSOH Blue 1m
100-445	Category 6 F/UTP Booted Patch Lead, LSOH Blue 3m
100-446	Category 6 F/UTP Booted Patch Lead, LSOH Blue 5m
100-447	Category 6 F/UTP Booted Patch Lead, LSOH Yellow 1m
100-448	Category 6 F/UTP Booted Patch Lead, LSOH Yellow 3m
100-449	Category 6 F/UTP Booted Patch Lead, LSOH Yellow 5m

## System Warranty

The Excel System Warranty provides a 25-year product and applications assurance of compliance with the industry performance standard appropriate to the class of cabling installed. The warranty may be applied for by an accredited Excel Partner who has designed, supplied and installed the said system.



Excel is a world-class premium performing end-to-end infrastructure solution - designed, manufactured, supported and delivered - without compromise.

Contact us at [sales@excel-networking.com](mailto:sales@excel-networking.com)

