

X 25 Year System Warranty

X Toolless termination

X Supports Gigabit Ethernet

X ETL Verified

X Low Profile - 28mm overall depth

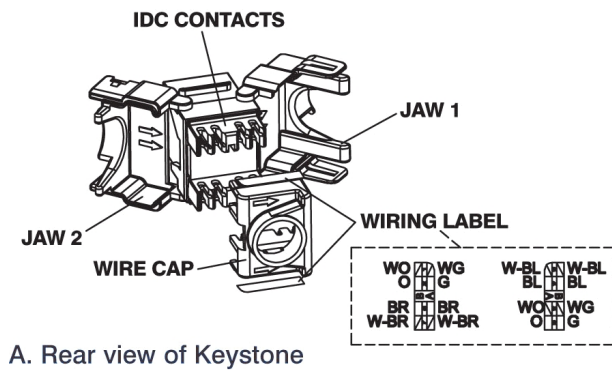
X 360° Screen die cast housing

## Features

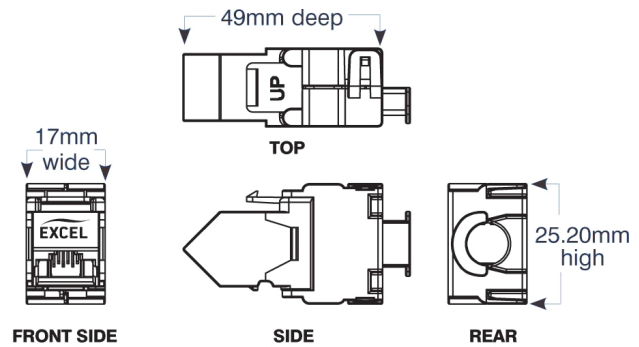
- X 25 Year System Warranty
- X Supports Gigabit Ethernet
- X Low Profile - 28mm overall depth
- X Category 6 compliant
- X Ideal for high density cabling installations
- X No.3 cabling system by market share, as reported by BSRIA
- X Toolless termination
- X ETL Verified
- X 360° Screen die cast housing
- X Suitable for patch panel mounting
- X Angled design assists patch cable management

## Product Overview

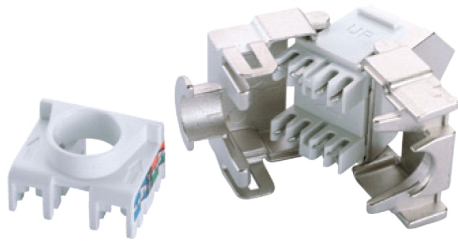
The Excel Category 6 Screened angled Keystone Jack, is an independently verified toolless termination RJ45 socket suitable for mounting patch panels. The angled design of the socket face makes this product ideal for high density frames. Traditional horizontal patch cable management bars can be removed or reduced in number as the leads follow a natural route to the left or right of the panel and the cabinets vertical management. To the rear of the socket the design is exactly the same as the Excel keystone range, enabling standard termination and cable dressing practices to be followed. The socket itself is housed in a high quality zinc die cast housing, which opens at the rear in a butterfly manner to reveal the IDC termination points. Once the conductors of the cable to be terminated are fed into a wire cap the process is completed by snapping the 'butterfly wings' together with minimal, but firm pressure.



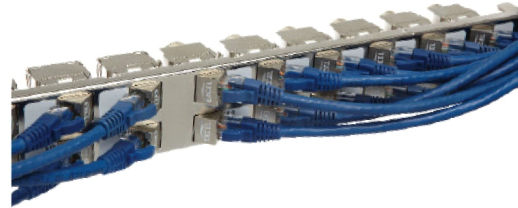
A. Rear view of Keystone



B. Keystone profiles



C. Rear view of Keystone with wire cap



D. Keystone Jacks mounted in chrome style patch panel, with angled jacks.  
Part No 100-024

## Performance Overview

The Excel Category 6 keystone jack is designed and manufactured to comply with the requirements of Category 6/Class E as defined in ISO 11801 2nd edition, and TIA-568-B. A range of performance characteristics are tested up to 250Mhz including return loss, attenuation, and near end cross talk (NEXT) and far end cross talk (FEXT). Both worst case and power sum test methods are applied. The keystone jack is fully interoperable and backward compatible with Category 5e products.

## Typical Applications

- 1000BASE-T
- 10BASE-T
- 622Mbps ATM
- 100BASE-TX
- 155Mbps ATM

## Performance / Specification Table

Specification:	· Category 6 ISO 11801:2002 Class E; TIA/EIA-568-B.2
Wiring Specification:	T568A/B
Dimensions	17mm wide x 49mm deep x 25.20mm high
RJ45 Jack	Min life 750 insertions
RJ45 Jack	50 Microinch Gold Plated contact pins
NEXT at 250MHz	Category 6 39.1dB @250MHz (Power Sum)
FEXT at 250MHz	Category 6 27.0dB @250MHz (Power Sum)

## Part Numbers

Part No.	Description
100-214	Category 6 Screened Butterfly Style Toolless Angled Jack - Chrome

## Part Numbers

Part No.	Description
100-023	24 port angled unloaded 1U black UTP keystone frame
100-024	24 port angled unloaded 1U chrome FTP keystone frame

NB. All patch panels are supplied with cage nuts, earth cable, and rear management tray

## System Warranty

The Excel System Warranty provides a 25-year product and applications assurance of compliance with the industry performance standard appropriate to the class of cabling installed. The warranty may be applied for by an accredited Excel Partner who has designed, supplied and installed the said system.



Excel is a world-class premium performing end-to-end infrastructure solution - designed, manufactured, supported and delivered - without compromise.

Contact us at [sales@excel-networking.com](mailto:sales@excel-networking.com)

