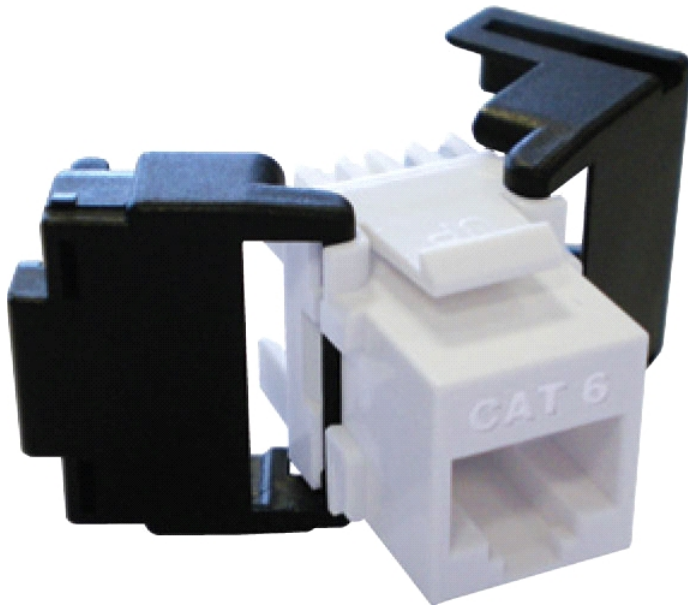


Excel Category 6 Unscreened Twisted Pair (U/UTP) Keystone Jack - Toolless

excel
without compromise.



X 25 Year System Warranty

X LSA Punchdown Termination

X Supports Gigabit Ethernet

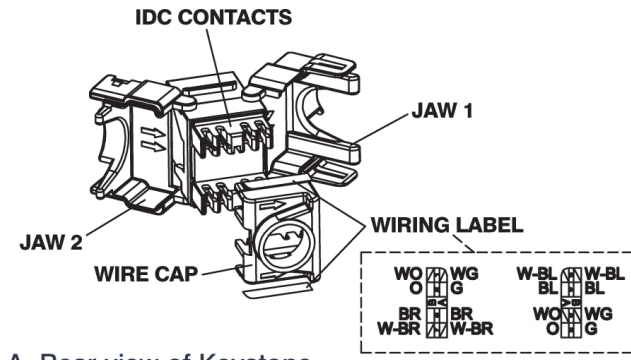
X Independently Verified

Features

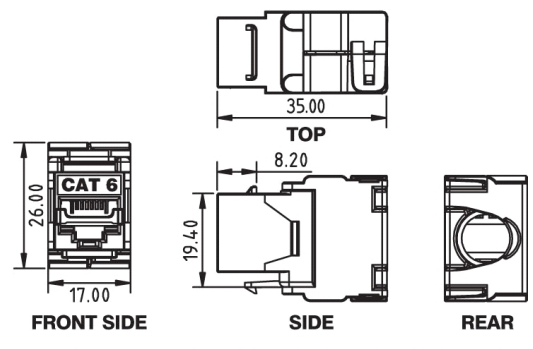
- X 25 Year System Warranty
- X Supports Gigabit Ethernet
- X Suitable for patch panel and faceplate mounting
- X Lifetime Product Warranty
- X No.3 cabling system by market share, as reported by BSRIA
- X LSA Punchdown Termination
- X Independently Verified
- X Suitable for installation in 27mm deep back box with bevelled faceplate
- X Metalised cap protects against alien crosstalk

Product Overview

The Excel Category 6 Unscreened Twisted Pair (UTP) Keystone Jack, is an independently verified toolless termination RJ45 socket suitable for mounting in range of housings from patch panels, faceplates and shutters to sub floor boxes, and work area distribution enclosures. The socket itself is housed in a high quality ABS plastic housing, which opens at the rear in a butterfly manner to reveal the IDC termination points. Once the conductors of the cable to be terminated are fed into a wire cap the process is completed by snapping the 'butterfly wings' together with minimal, but firm pressure. A choice of Patch Panel frames with either 16 or 24 port density in both black and chrome are available.



A. Rear view of Keystone



B. Keystone profiles. Dimensions in mm



C. Rear view of Keystone with wire cap attached

Performance Overview

The Excel Category 6 keystone jack is designed and manufactured to comply with the requirements of Category 6/Class E as defined in ISO 11801 2nd edition, and TIA/EIA-568-B.2-1. A range of performance characteristics are tested up to 250Mhz including return loss, attenuation, and near end cross talk (NEXT) and far end cross talk (FEXT). Both worst case and power sum test methods are applied. The keystone jack is fully interoperable and backward compatible with Category 5e products.

Performance / Specification Table

Specification	Category 6 ISO Class E 2002 & TIA/EIA-568-B.2-1 Cat 6
Wiring Specification	T568A & T568B
Dimensions	17mm wide x 35.15mm deep x 25.20mm high
Installation Recommendation	Suits minimum of 37mm back boxes when installed with bevelled faceplate
RJ45 Jack	Min life 750 insertions
RJ45 Jack	50 Microinch Gold Plated contact pins
NEXT at 250MHz	Category 6 39.1dB @250MHz (Power Sum)
EL FEXT at 250MHz	Category 6 27.0dB @250MHz (Power Sum)
Storage Temperature Range	-40 to +70°C
Operational Temperature Range	-10 to +60°C
Jack housing	High impact, Flame Retardant Plastic, UL 94V-0

Typical Applications

- 1000BASE-T Gigabit Ethernet
- 10 Base-T Ethernet
- 622Mbps ATM
- 100BASE-TX Fast Ethernet
- 155Mbps ATM

Part Numbers

Part No.	Description
100-211	Category 6 Unscreened U/UTP Toolless Keystone Jack, Butterfly Style, White
100-212	Category 6 Unscreened U/UTP Toolless Keystone Jack, Butterfly Style, Black

Related Products

Part No.	Description
100-014	Euromod 25 x 50mm Flat Keystone Shutter - White
100-018	6C Flat Keystone Shutter - White
100-175	Euromod 25 x 50mm Angled Keystone Shutter - White
100-022	6C Angled Keystone Shutter - White
100-025	16 port 1U Unloaded Black Keystone Frame
100-026	24 port 1U Unloaded Black Keystone Frame
100-027	16 port 1U Unloaded Chrome Keystone Frame
100-028	24 port 1U Unloaded Chrome Keystone Frame

NB. All patch panels are supplied with cage nuts, earth cable, and rear management tray

System Warranty

The Excel System Warranty provides a 25-year product and applications assurance of compliance with the industry performance standard appropriate to the class of cabling installed. The warranty may be applied for by an accredited Excel Partner who has designed, supplied and installed the said system.



Excel is a world-class premium performing end-to-end infrastructure solution - designed, manufactured, supported and delivered - without compromise.

Contact us at sales@excel-networking.com

