

X 25 Year System Warranty

X LSA Punchdown Termination

X Supports 10 Gigabit Ethernet

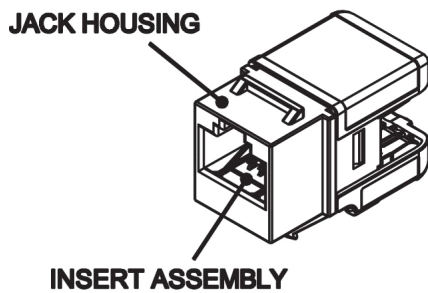
X Independently Verified

Features

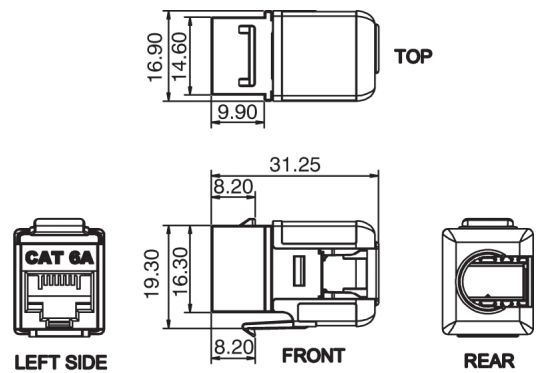
- X 25 Year System Warranty
- X Supports 10 Gigabit Ethernet
- X Suitable for patch panel and faceplate mounting
- X Lifetime Product Warranty
- X No.3 cabling system by market share, as reported by BSRIA
- X LSA Punchdown Termination
- X Independently Verified
- X Suitable for installation in 27mm deep back box with bevelled faceplate
- X Metalised cap protects against alien crosstalk

Product Overview

The Excel Category 6A Unscreened Twisted Pair (UTP) Keystone Jack, is an LSA termination RJ45 socket suitable for mounting in range of housings from patch panels, faceplates and shutters to sub floor boxes, and work area distribution enclosures. A choice of Patch Panel frames with either 16 or 24 port density in both black and chrome are available.



A. Rear view of Keystone



B. Keystone profiles. Dimensions in mm

Performance Overview

The Excel Category 6A keystone jack is designed and manufactured to comply with the channel requirements of Class EA/Augmented Category 6 specifications as defined in ISO 11801 2nd edition 2.2, and ANSI/TIA-568-C.2-2009 standards. A range of performance characteristics are tested up to 500MHz including return loss, attenuation, and near end cross talk (NEXT) and far end cross talk (FEXT). Both worst case and power sum test methods are applied. The product design incorporates staggered 50 microinch plated contact pins within the jack to ensure optimum performance levels are achieved, the metallised cap around the terminated pairs ensures Alien Crosstalk is minimised. Support of emerging applications such as 10 Gigabit Ethernet is guaranteed over channel distances of upto 100 metres. The keystone jack is fully interoperable and backward compatible with Category 5e and Category 6 products.

Performance / Specification Table

Specification	ISO/IEC 11801:2011 (Ed.2.2) EN 50173-1:2011 EN 50173-2:2007 + A1:2010 ANSI/TIA-568-C.2-2009
Wiring Specification	T568A & T568B
Dimensions	17mm wide x 31.25mm deep x 19.30mm high
Installation Recommendation	Suits minimum of 27mm Back Boxes when installed with Bevelled Faceplate
RJ45 Jack	Min life 750 insertions
RJ45 Jack	50 Microinch Gold Plated contact pins
NEXT at 500MHz	Category 6A 39.10dB @500MHz (Power Sum)
ACR-F at 500MHz	Category 6A 27.00dB @500MHz (Power Sum)

Electrical performance meets or exceeds channel requirements as defined in the latest Category 6A, specification documents, ISO/IEC 11801: 2002 Class EA amendment, and ANSI/TIA-568-C.2-2009, when installed with Excel Category 6A cable.

Typical Applications

- IEEE802.3 1000BASE-T Gigabit Ethernet
- Digital and analogue video
- IEEE802.3an 10GBASE-T 10 Gigabit Ethernet
- 1.2/2.4Gbs ATM

Part Numbers

Part No.	Description
100-156	Category 6A Unscreened (U/UTP) Keystone Jack (White)
100-156-BK	Category 6A Unscreened (U/UTP) Keystone Jack (Black)

Related Products

Part No.	Description
100-025	16 port 1U Unloaded Black Keystone Frame
100-026	24 port 1U Unloaded Black Keystone Frame
100-027	16 port 1U Unloaded Chrome Keystone Frame
100-028	24 port 1U Unloaded Chrome Keystone Frame

NB. All patch panels are supplied with cage nuts, earth cable, and rear management tray

Related Products

Part No.	Description
100-014	Euromod 25 x 50mm Flat Keystone Shutter - White
100-018	6C Flat Keystone Shutter - White
100-022	6C Angled Keystone Shutter - White

System Warranty

The Excel System Warranty provides a 25-year product and applications assurance of compliance with the industry performance standard appropriate to the class of cabling installed. The warranty may be applied for by an accredited Excel Partner who has designed, supplied and installed the said system.



Excel is a world-class premium performing end-to-end infrastructure solution - designed, manufactured, supported and delivered - without compromise.

Contact us at sales@excel-networking.com

